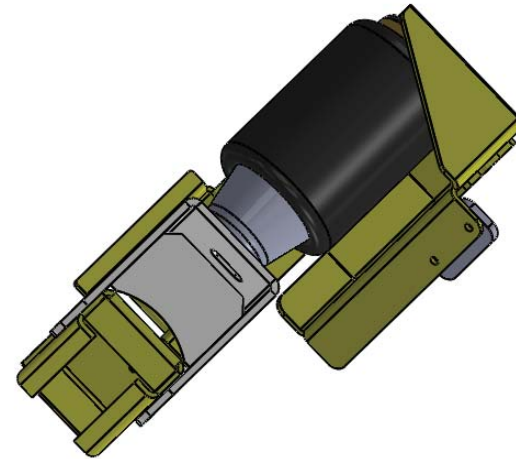
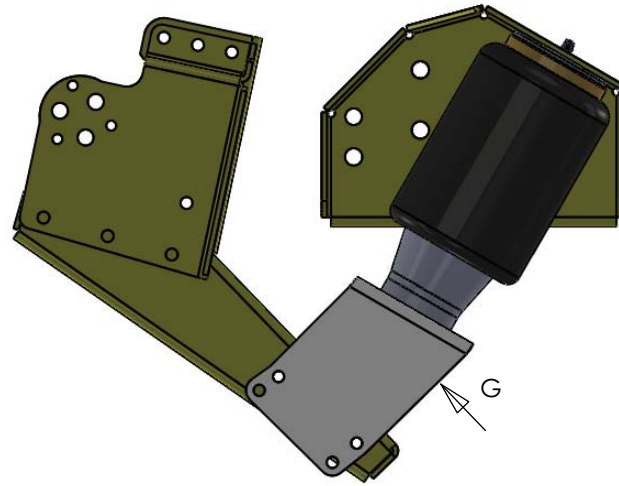
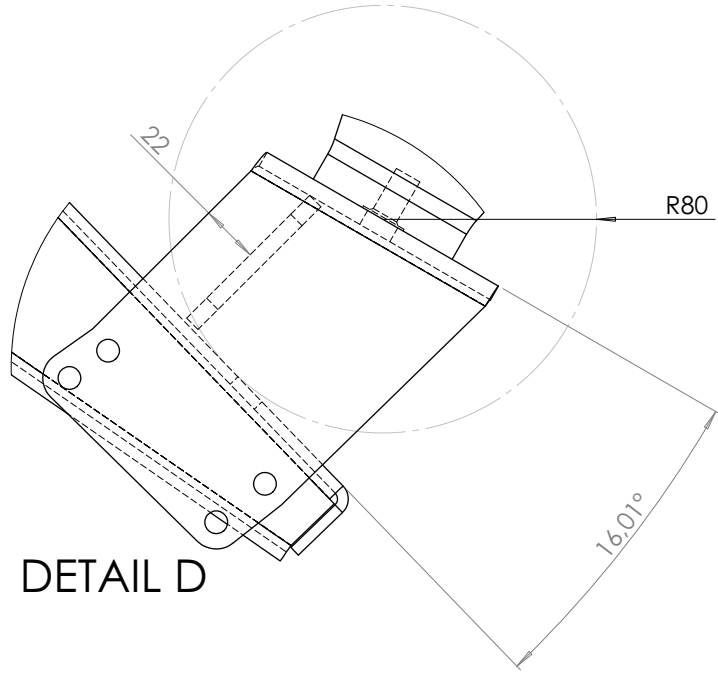
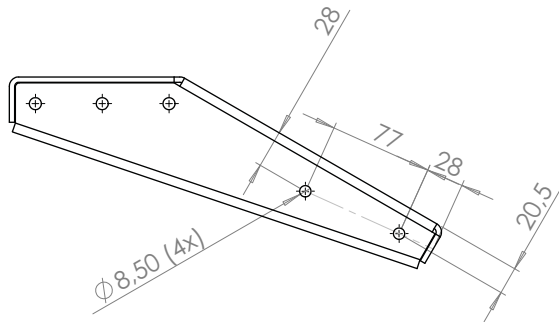


80mm opgevuld



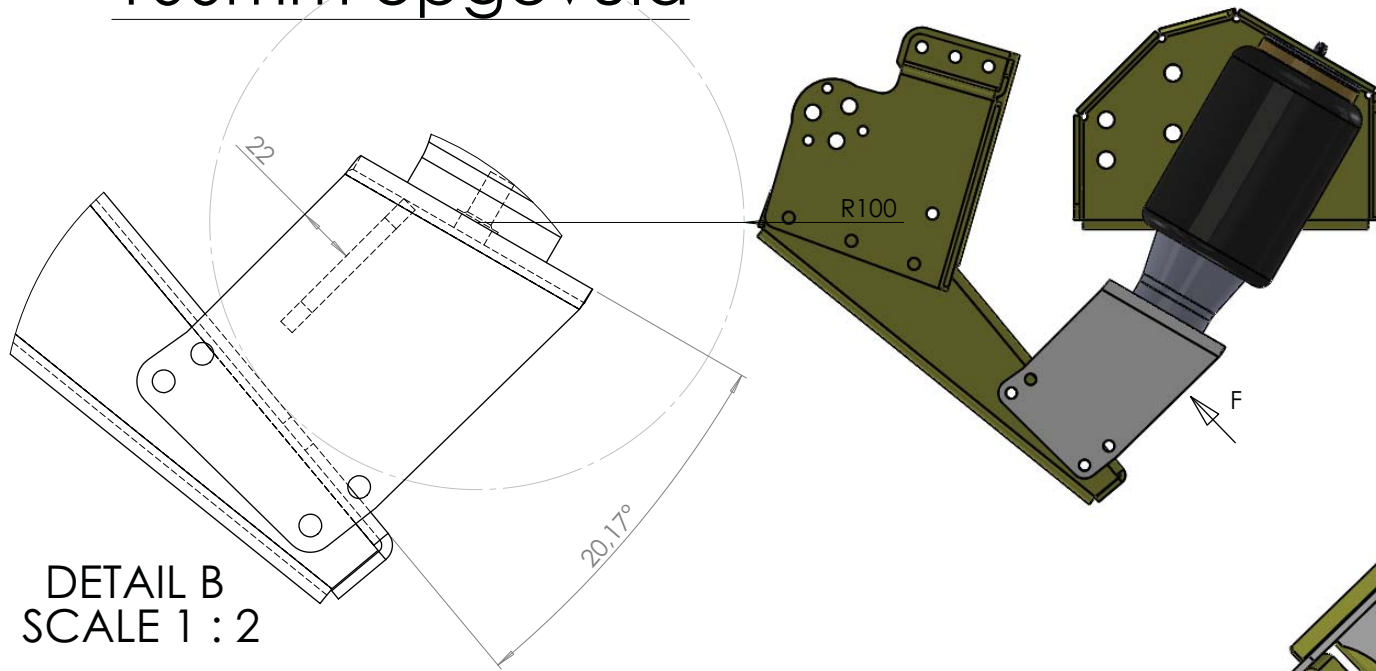
VIEW G
SCALE 1 : 4

boormaten van 4 gaten in onderplaat



UNLESS OTHERWISE SPECIFIED: DIMENSIONS ARE IN MILLIMETERS		FINISH:	DEBUR AND BREAK SHARP EDGES	DO NOT SCALE DRAWING	REVISION	B
SURFACE FINISH:				KLANT:		
TOLERANCES:				TITLE:		
LINEAR:				ARTIKEL NO.		
ANGULAR:						
	NAME	DATUM				
DRAWN		maandag 3 december 2012				
CHK'D						
APP'VD						
MFG						
			MATERIAL:	DIKTE	DWG NO.	A3
			WEIGHT:	SCALE:1:2	Overzicht	
						SHEET 2 OF 2

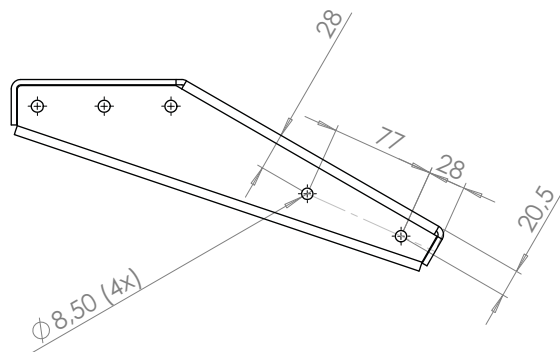
100mm opgevuld



DETAIL B
SCALE 1 : 2

VIEW F

boormaten van 4 gaten in onderplaat



UNLESS OTHERWISE SPECIFIED: DIMENSIONS ARE IN MILLIMETERS SURFACE FINISH: TOLERANCES: LINEAR: ANGULAR:		FINISH:	DEBUR AND BREAK SHARP EDGES	DO NOT SCALE DRAWING	REVISION	B
DRAWN			NAME	DATUM	KLANT:	
CHK'D			maandag 3 december 2012		TITLE:	
APP'VD					ARTIKEL NO.	
MFG					DWG NO.	
WEIGHT:			MATERIAL:	DIKTE	Overzicht	
SCALE:1:4					A3	
SHEET 1 OF 2						